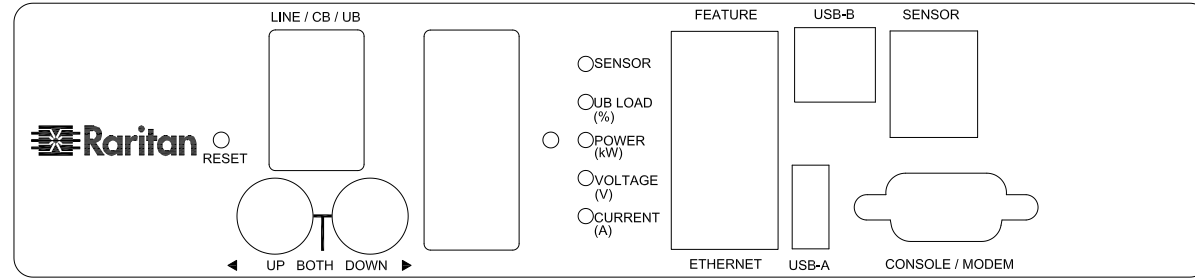
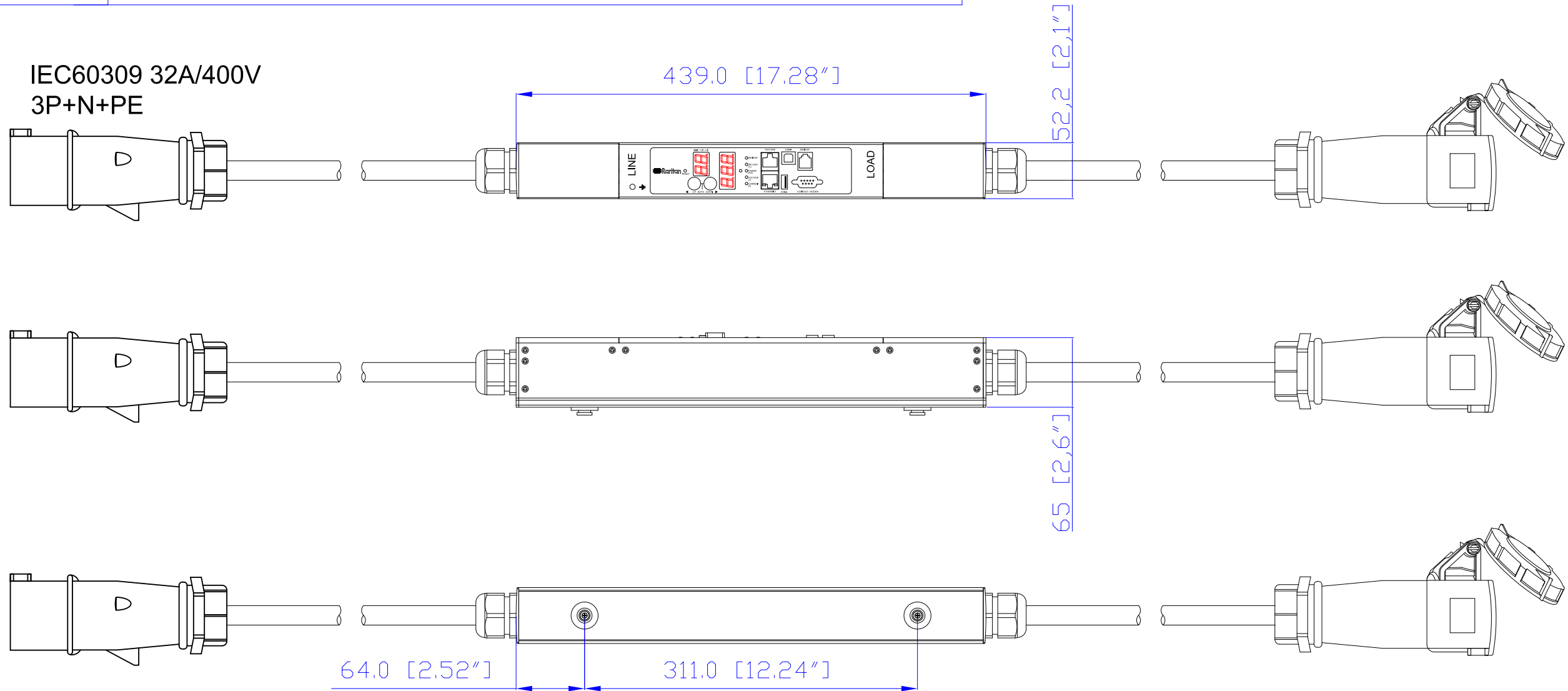


IEC60309 32A/400V
3P+N+PE
VIEW A



VIEW B

IEC60309 32A/400V
3P+N+PE



NOTES:

1.ALL DIMENSIONS ARE MILLIMETERS[INCHES].



DRAWN : EVALIN Aug.31,2011
ENGINEER: Kevin_L Aug.31,2011
APPROVED: Tom_h Aug.31,2011



DO NOT SCALE DRAWING
SHEET 1 OF 1

THIS DRAWING AND SPECIFICATIONS HEREIN ARE THE PROPERTY OF RARITAN, INC. AND SHALL NOT BE COPIED, REPRODUCED OR USED, IN WHOLE OR IN PART, AS THE BASIS FOR THE MANUFACTURE OR SALE OF ITEMS WITHOUT WRITTEN PERMISSION FROM RARITAN, INC. THIS DRAWING IS BASED UPON LATEST AVAILABLE INFORMATION AND IS SUBJECT TO CHANGE WITHOUT NOTICE.

TITLE:
iPDU Zero U,
Three phase 32A 3Φ-Y / 380V-415V
Input Plugs:IEC60309 32A 3PY
Output Plugs:IEC60309 32A 3P R

DWG NO. **MPX2-3172** REV. **A**